

# LED SECURITY LIGHT

<b>Catalog #</b>		<b>Prepared by</b>	
<b>Project</b>		<b>Date</b>	
<b>Notes</b>			



## High-end Die-casting Aluminum LED Security Light

### Features

- Smooth linear and LED structure features organically combined, the appearance is simple.
- P.I.R motion detectors functions, which realized the intellectualized design of product.
- The lamp adopts the 180 degree rotary structure, which can meet the needs of difference applications.
- Light source and electrical separate design, easy for installation and maintenance.
- Power supply, light source and mounting cover, the three divided and separate structure can be applied freely in various power and sizes.
- Professional optical design with efficient optical distribution, high efficiency, proving with variety of light distribution options.
- The lamp uses manual adjustment of color temperature, and rotary adjustment knob can achieve different lighting effects.
- Reasonable heat dissipation design to ensure the service life of lamps.
- Lighting structure, electrical safety compliance with EN60598 GB7000 standard requirements.
- Anti-electric shock protection: Class III
- IP rating: IP65

## Parameter

### Without Sensor and 3CCT

Item No.	Power Factor	Light Source	Luminous Efficiency	Operating Temperature	IP Rating	Lifespan
DG5705-1	>0.95	10Wx1	>80lm/W	- 30-50°C	IP65	50000hour (5 year limited warranty)
DG5705-2		10Wx2				
DG5705-3		10Wx3				

### With 3CCT

Item No.	Power Factor	Light Source	Luminous Efficiency	Operating Temperature	IP Rating	Lifespan
DG5705A-1	>0.95	10Wx1	>80lm/W	- 30-50°C	IP65	50000hour (5 year limited warranty)
DG5705A-2		10Wx2				
DG5705A-3		10Wx3				

### With Motion Sensors (Round or Square for option, 150°/180° or 240°/270° for option)

Item No.	Power Factor	Light Source	Luminous Efficiency	Operating Temperature	IP Rating	Lifespan
DG5705B-1	>0.95	10Wx1	>80lm/W	- 30-50°C	IP65	50000hour (5 year limited warranty)
DG5705B-2		10Wx2				
DG5705B-3		10Wx3				

### With Photocell

Item No.	Power Factor	Light Source	Luminous Efficiency	Operating Temperature	IP Rating	Lifespan
DG5705C-1	>0.95	10Wx1	>80lm/W	- 30-50°C	IP65	50000hour (5 year limited warranty)
DG5705C-2		10Wx2				
DG5705C-3		10Wx3				

### With Time-controller

Item No.	Power Factor	Light Source	Luminous Efficiency	Operating Temperature	IP Rating	Lifespan
DG5705D-1	>0.95	10Wx1	>80lm/W	- 30-50°C	IP65	50000hour (5 year limited warranty)
DG5705D-2		10Wx2				
DG5705D-3		10Wx3				

## Applications

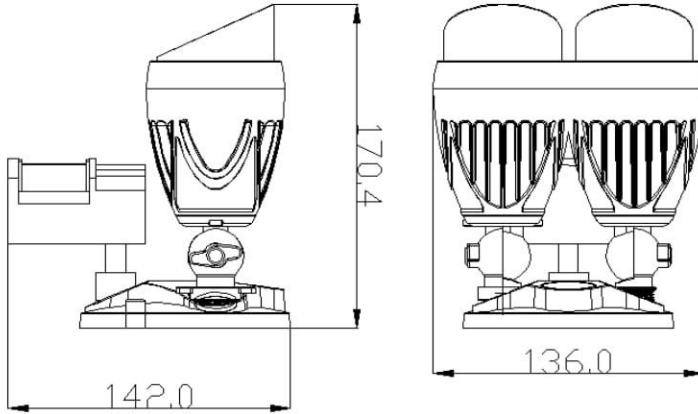
Suitable for lighting and decorative lighting of hospitals, schools, shopping malls and office buildings.

## Listing/ Warranty

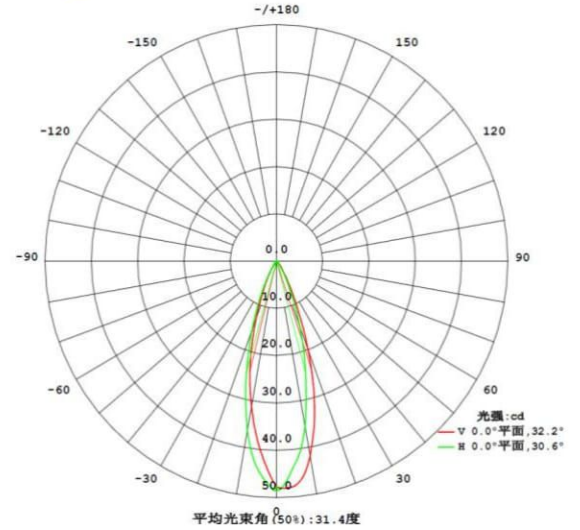
ETL Listed to US and Canadian standards for wet locations

5 Year LED Limited Warranty

## Dimension



## Light Distribution Curve



## Ordering Guide

Series	Lamp/Wattage	Input Voltage	CCT
DG5705(Without Sensor and 3CCT)	1(One Head)/10W	120V AC	3000K
DG5705A(With 3CCT)	2(Double Head)/20W	227V AC	4000K
DG5705B(With Motion Sensors)	3(Triple Head)/30W	120-277V AC	5000K
DG5705C(With Photocell)			Other Customized CCT
DG5705D(With Time-controller)			

### CRI

70  
80  
90  
95

### Lamp Body Color

White  
Black  
Brown

### Control System

NONE  
0-10V &1-10V  
DMX512  
DALI  
WIFI



1055 CLARK BLVD, BRAMPTON, ON, L6T 3W4 Canada  
9057998009