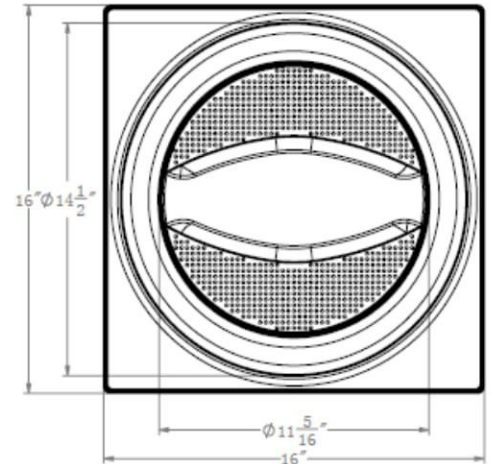


LED BLUETOOTH SPEAKER LIGHT

Catalog #		Prepared by	LiteHarbor
Project		Date	
Notes			



LED BLUETOOTH SPEAKER LIGHT

ORDER MATRIX | Example: BL10-BS01-S

A	B	C	D
	A	Series	
BL16-BS01-S		Led bluetooth speaker light	

B	Input Voltage
120V	120VAC

C	Wattage
Watt	16W

D	Dimmable
	Non-Dimmable
DM	Dimmable

Data

Size: 16 inch
 Input Power: 16W
 Input Voltage: 120VAC
 Frequency: 50/60Hz
 Power Factor: >0.98
 Lumens: 1280LM
 Material: ABS/Die Casting Aluminum

Color Temperature/ CRI

2700K 80+CRI
 2700K 90+CRI
 3000K 80+CRI
 3000K 90+CRI

Input Voltage

120V



Features

- All-in-one multi-functional ceiling light, crescent moon shape light emission effect, the modeling is beautiful.
- Using high-fidelity speakers, compatible with mobile phones, computers and all other Bluetooth devices, lying on the bed to listen to music, listen to crosstalk, listen to the story, so that light and music linkage.
- Automatically connects: After the first connection, each time will be automatically connected when it opening.
- Signal qualities: Using high-end chips. Connection distance is far and without noise, no caton phenomenon caused by poor signal.
- PC optical lampshade: high Light transmittance.
- Bluetooth 4.0 and bluetooth 4.1 both available

Mounting

- Snap in ceiling installation
- Pendent mount
- Can be customized as floor lamp.

Application

Suitable for automotive and parking, education, government, healthcare, hospitality, offices, banks, religious, retail.

Listed & Warranty

2-Year Limited Warranty with ETL Listed

Ordering Guide

Series	Input Voltage	Watt	Color Temperature/CRI
<input type="checkbox"/> BL16-BS01-S 16 Inch Square Shape LED Bluetooth Speaker Ceiling Light	<input type="checkbox"/> 120 VAC	<input type="checkbox"/> 16W	<input type="checkbox"/> 2700K/80 <input type="checkbox"/> 2700K/90 <input type="checkbox"/> 3000K/80 <input type="checkbox"/> 3000K/90
Lumen	Dimmable	Mounting	
<input type="checkbox"/> 1280LM	<input type="checkbox"/> NONE TRIAC	<input type="checkbox"/> Ceiling mount <input type="checkbox"/> Pendent mount <input type="checkbox"/> Can be customized as floor lamp.	

